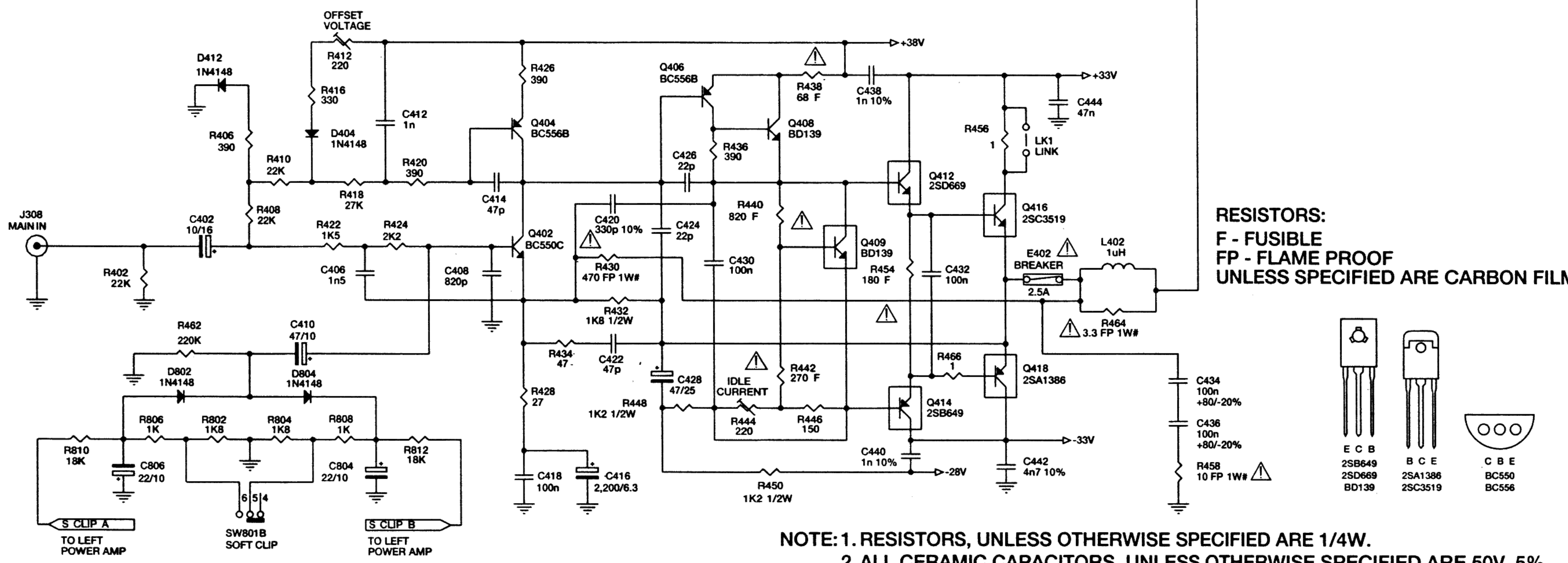
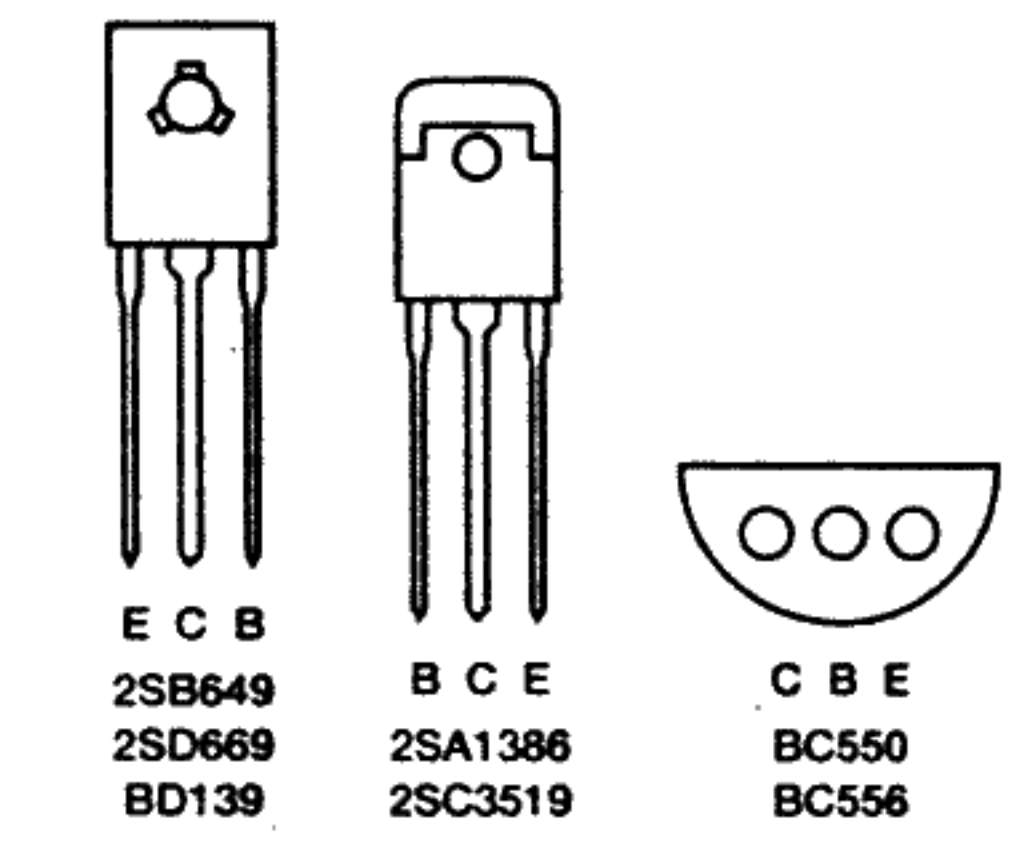


LEFT POWER AMP



RIGHT POWER AMP

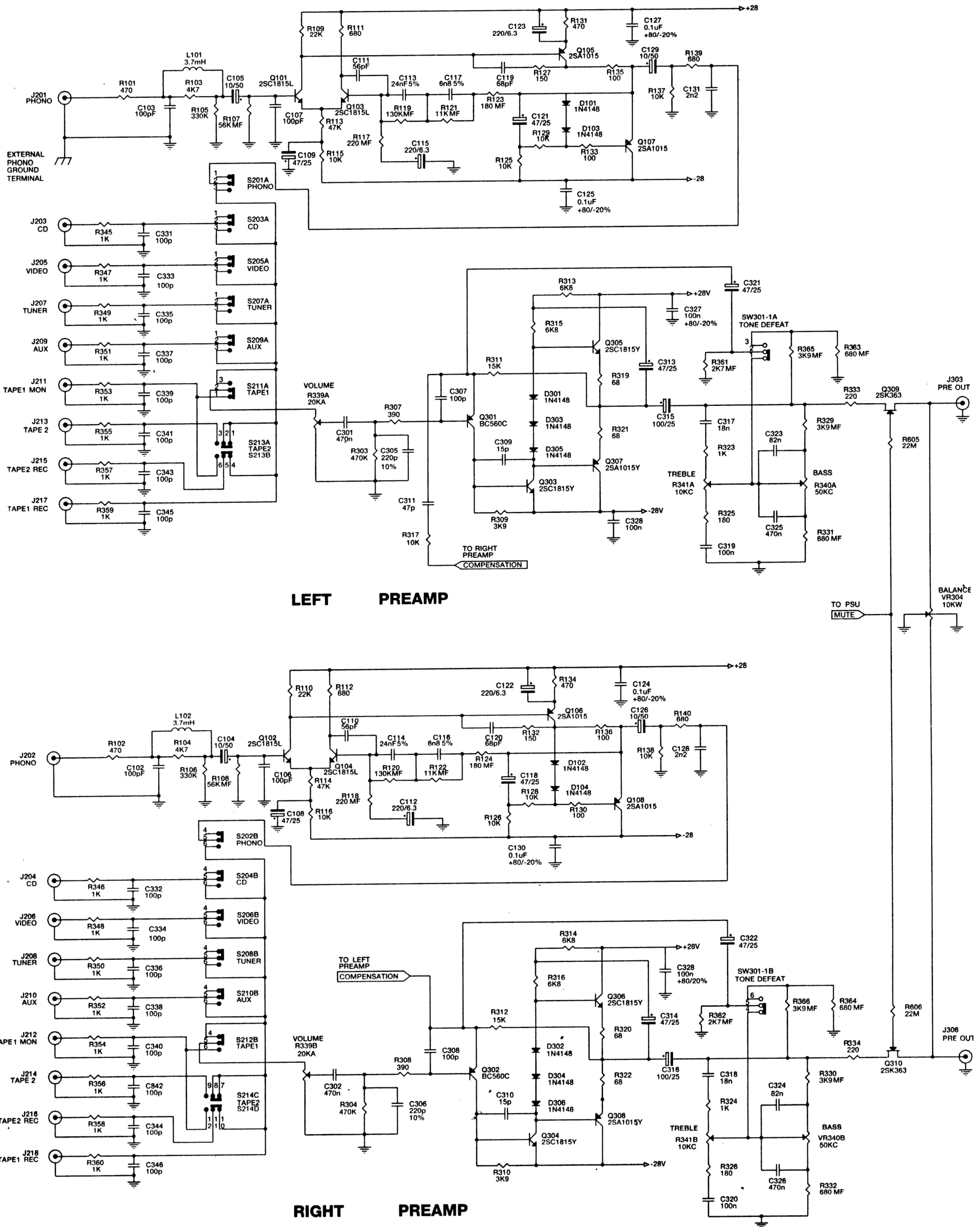
RESISTORS:
 F - FUSIBLE
 FP - FLAME PROOF
 UNLESS SPECIFIED ARE CARBON FILM.



- NOTE:**
1. RESISTORS, UNLESS OTHERWISE SPECIFIED ARE 1/4W.
 2. ALL CERAMIC CAPACITORS, UNLESS OTHERWISE SPECIFIED ARE 50V, 5%.
 3. BLOCKED TRANSISTORS ARE MOUNTED ON MAIN HEATSINK.
 4. COMPONENTS MARKED WITH "▲" ARE SAFETY CRITICAL PART
 5. COMPONENTS MARKED WITH "#" ARE ELEVATED FROM PCB.

SCHEMATIC DIAGRAM

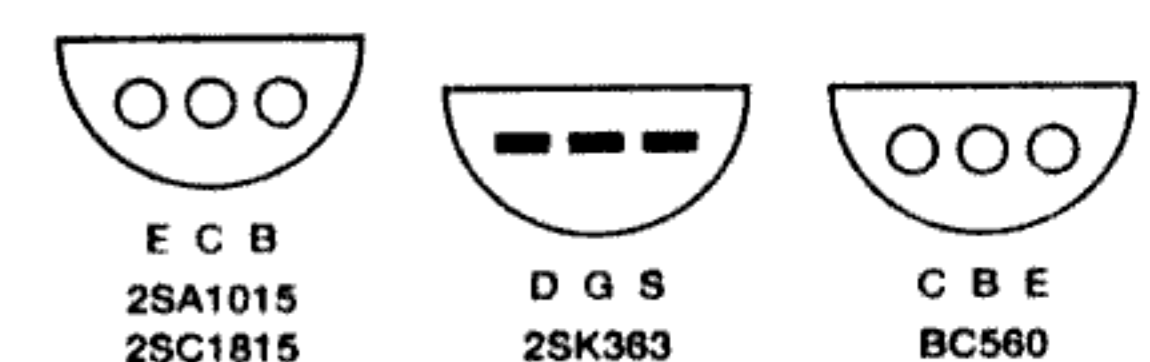
PREAMP



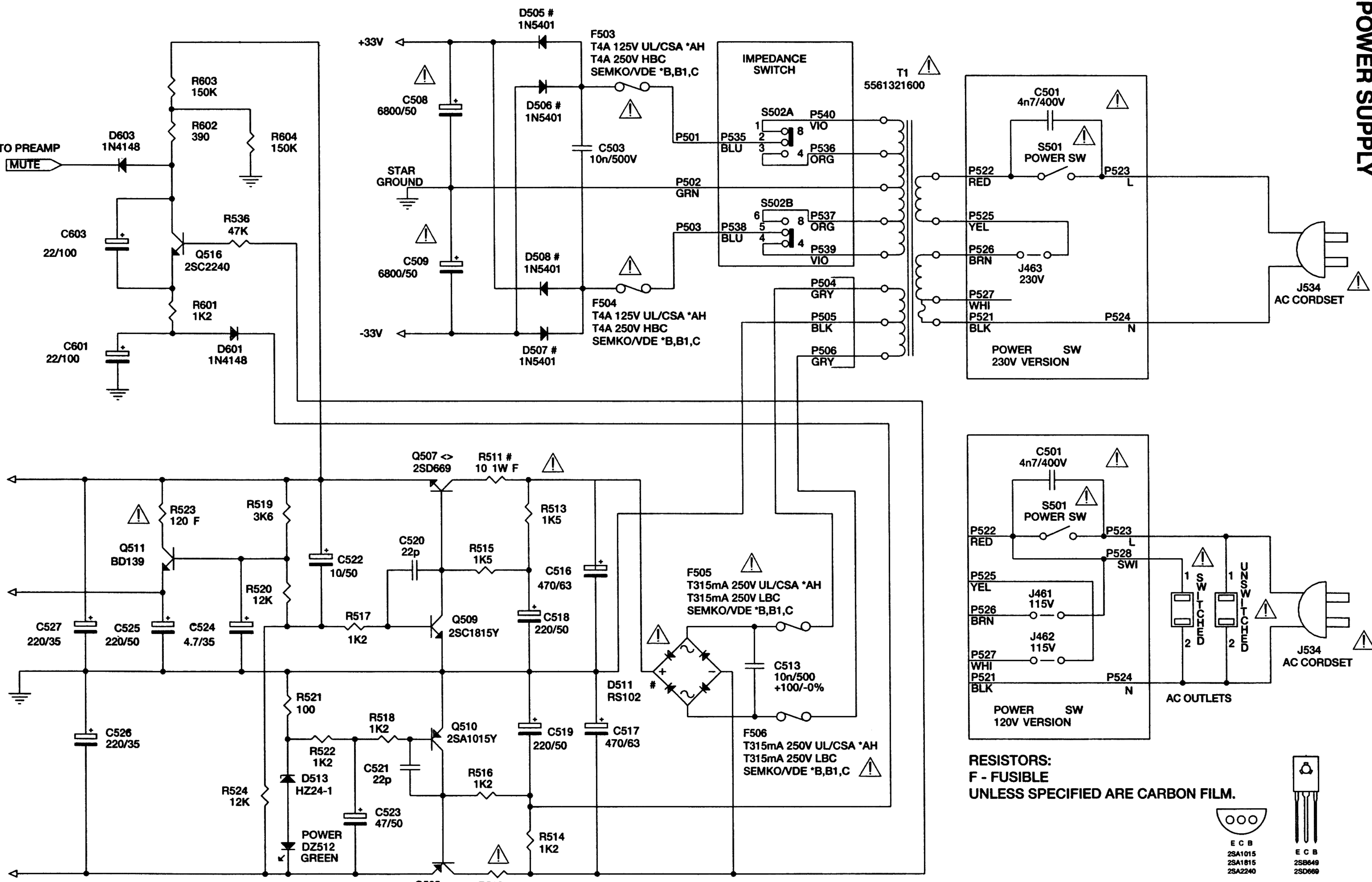
LEFT PREAMP

RIGHT PREAMP

RESISTORS:
 MF - METAL FILM
 UNLESS SPECIFIED
 ARE CARBON FILM.



NOTE: 1. RESISTORS, UNLESS OTHERWISE SPECIFIED ARE 1/4W.
 2. ALL CERAMIC CAPACITORS, UNLESS OTHERWISE SPECIFIED ARE 50V, 5%.



POWER SUPPLY

- NOTE:**
1. RESISTORS, UNLESS OTHERWISE SPECIFIED ARE 1/4W.
 2. ALL CERAMIC CAPACITORS, UNLESS OTHERWISE SPECIFIED ARE 50V, 5%.
 3. COMPONENTS MARKED WITH "⚠" ARE SAFETY CRITICAL PARTS.
 4. COMPONENTS MARKED WITH "# " ARE ELEVATED FROM PCB.
 5. COMPONENTS MARKED WITH "<>" ARE MOUNTED ON SMALL HEATSINK.

RESISTORS:
 F - FUSIBLE
 UNLESS SPECIFIED ARE CARBON FILM.

